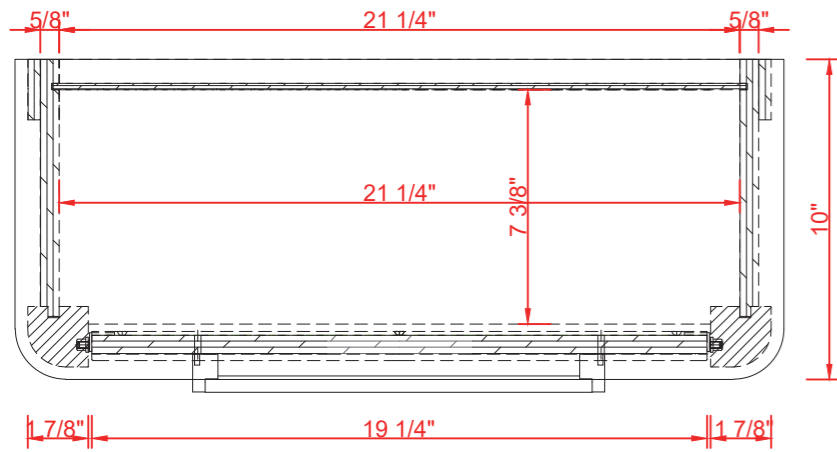
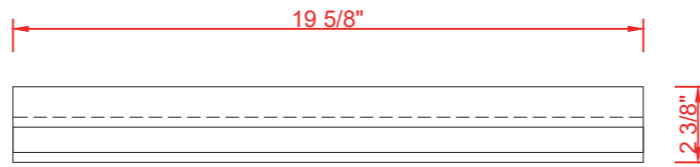
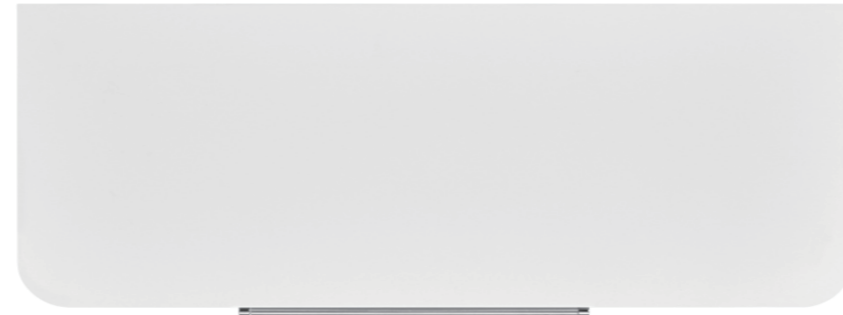


INSTALLERS DIAGRAM

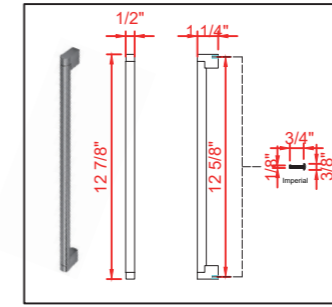
MODEL NUMBER:1549WC-24-201-242



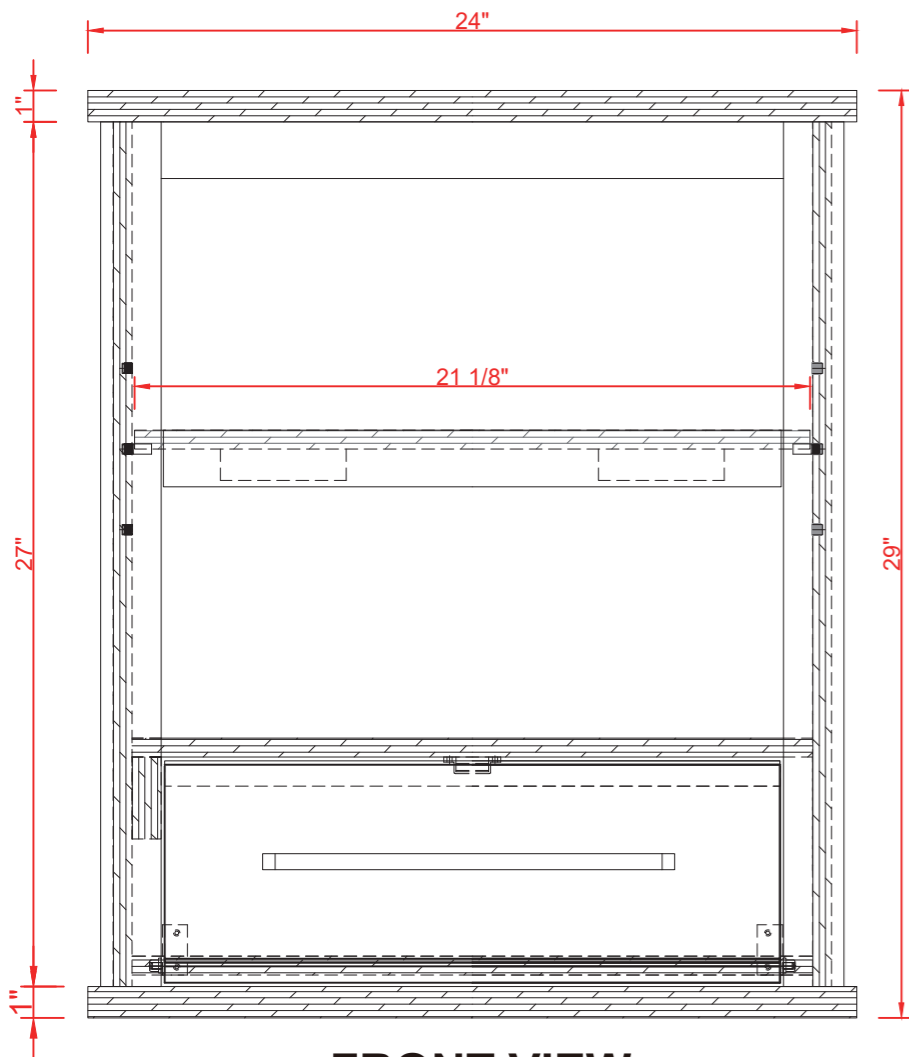
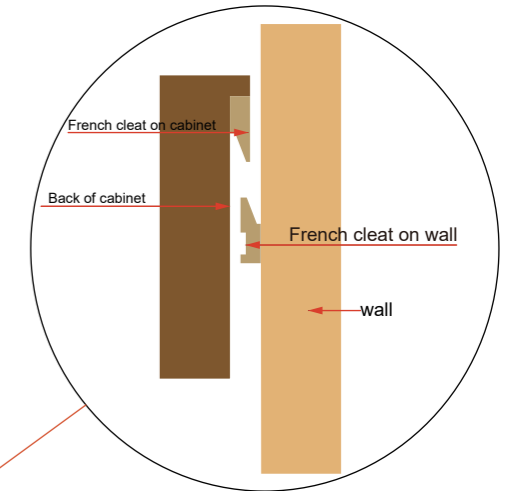
TOP VIEW



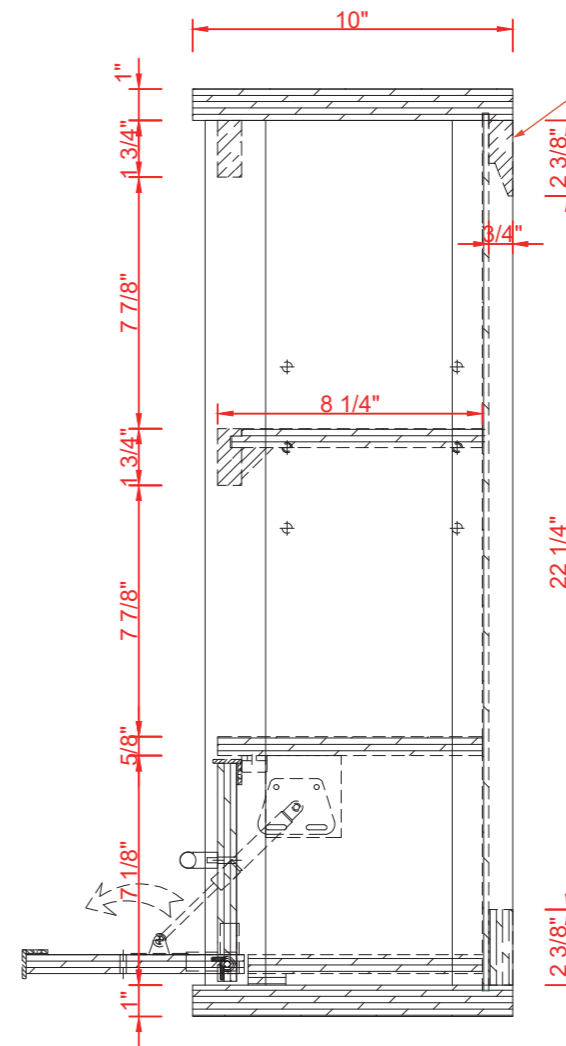
Wall Bracket



Product Net weight :39.6lbs.
Product packed Gross weight :52.8lbs.
Packed product Dimensions:
27.25in. W x 13.5in. D x 33in. H



FRONT VIEW



SIDE VIEW

