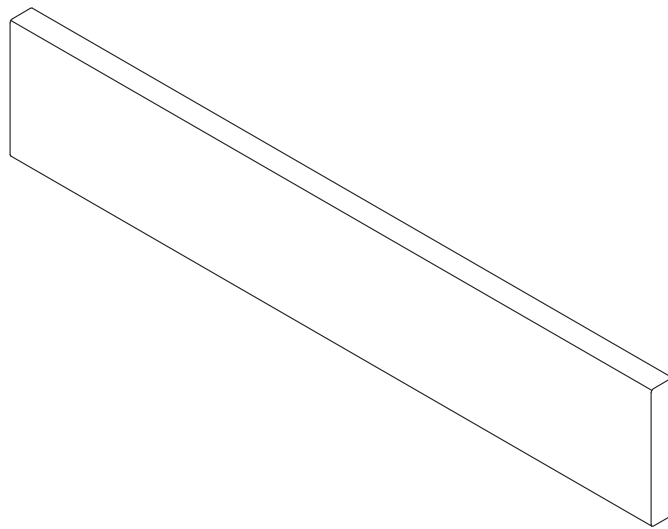


SIDE SPLASH

MODEL #
PU-21CAR-SS;
PU-21EG-SS;
PU-21WHT-907-SS;
PU-21ECAR-925-SS;
PU-21ECAL-926-SS

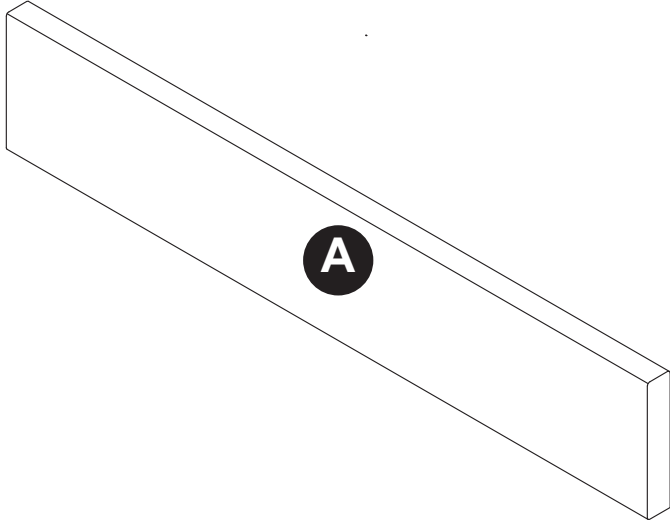


MODEL NUMBER	DESCRIPTION
PU-21CAR-SS	Carrara Marble Sidesplash
PU-21EG-SS	Dark Gray Sidesplash
PU-21WHT-907-SS	Pure White Sidesplash
PU-21ECAR-925-SS	Engineered Carrara (NEW) Sidesplash
PU-21ECAL-926-SS	Engineered Calacatta Sidesplash

Date Purchased _____

Questions, problems, missing parts? Before returning to your retailer, call our customer service department at 1-855-571-1044 9 a.m. - 5 p.m., EST, Monday-Friday. www.greentouchhome.com

PACKAGE CONTENTS



PART	DESCRIPTION	QUANTITY
A	Product	1

SAFETY INSTRUCTIONS

Please read and understand this entire manual before attempting to assemble, operate or install the product.

CAUTION

- Use care when assembling side splash; take your time and follow the assembly instructions closely.

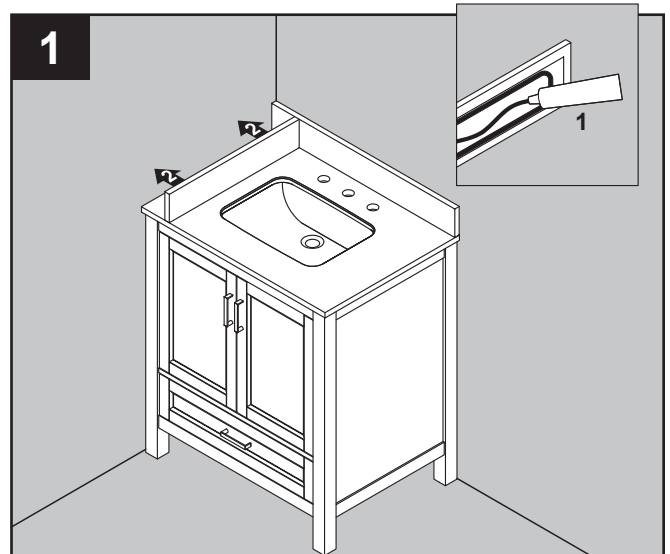
PREPARATION

Estimated Installation Time: 5 minutes (24 hours for adhesive to dry).

Tools Required for Installation (not included): adhesive

INSTALLATION INSTRUCTIONS

1. Apply adhesive (not included) to unpolished side and bottom of side splash. Position side splash on stone top and against wall. Wipe away any excess adhesive with a soft cloth, and wait approximately 24 hours for it to dry.



CARE AND MAINTENANCE

IMPORTANT

- Shade variations and patterns are an inherent characteristic of stone (e.g. granite, marble, engineered stone). Stone will vary from product to product. Use caution placing items such as soap or any fragranced material on the stone surface. Use a soap dish, coaster or similar item to protect the surface if placing any soap or fragranced products on the stone.
- If soap or fragranced products come in contact with the stone, rinse the surface with water and dry using a soft non-abrasive cloth.
- **WARNING:** Must use cleaning agents safe for stone. Check your cleaning agents use restrictions before using on any stone. Damage to the stone may result. Vanity Manufacturer not responsible for damage caused by improper cleaning agents or soaps used. Warranty will not cover damage caused by the use of improper soaps or cleaning agents.
- **DO NOT** use products to clean the stone that contain acetone, lemon, vinegar or other acids as these may cause damage to the stone surface.
- Periodically reseat the stone using an appropriate stone sealer available from your local home store. Follow the manufacturer's directions on how to apply.

WARRANTY

The manufacturer warrants this item against defects in materials and workmanship for a period of one (1) year from the date of original retail purchase. This warranty applies only to the original purchaser. This warranty does not apply to any damage on the product by accident, misuse, or modified, improper installation or by affixing accessories not produced by the manufacturer. The manufacturer will not be held liable for damages caused from cleaners or soaps that etch or stain the stone top. The manufacturer is not accountable whatsoever for product installation during the warranty period. There is no further expressed warranty. The manufacturer shall not be legally responsible for incidental, consequential or special damages arising at or in connection with product use or performance except as may otherwise be accorded by law. The manufacturer disclaims any and all implied warranties.